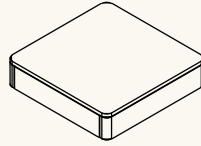




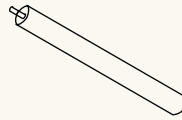
A guide to your Hideaway Table

What comes with your side table

1x Table top



4x Legs



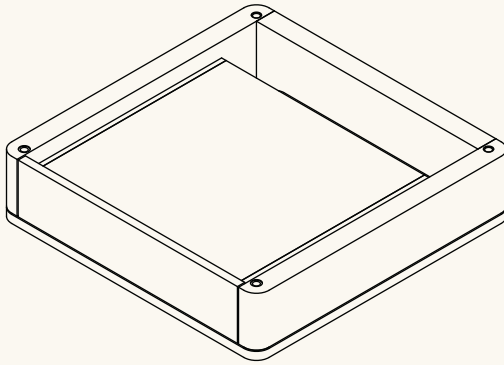
2x Coasters



1.

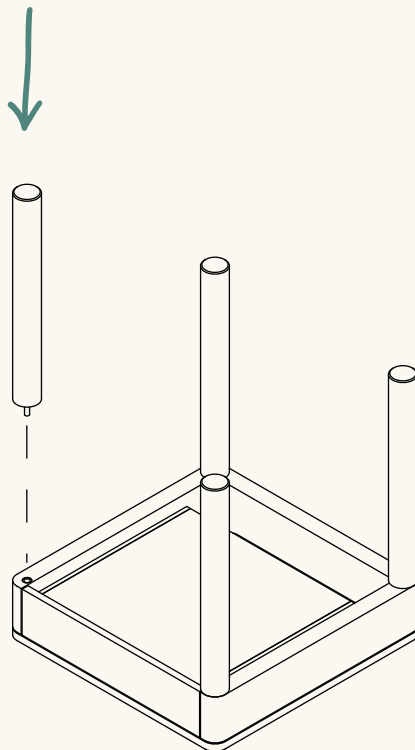
Place table top face down.

Caution: Protect the table's surface by placing a blanket or towel on the ground before assembly.



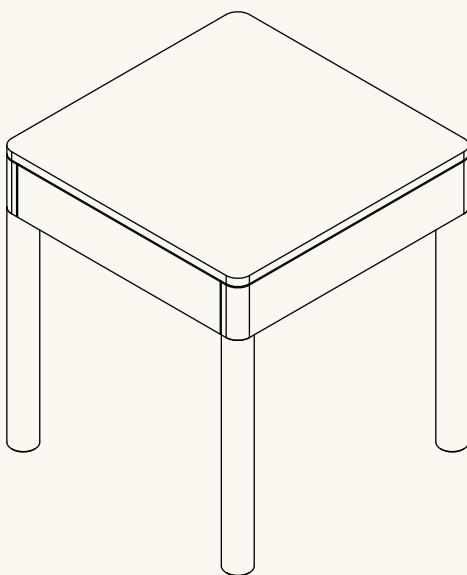
2.

Screw the legs into the frame.



3.

Flip the table upright and enjoy!



Pretty simple living.