



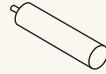
# A guide to your Timber Bed Frame

# What comes with your queen timber bed frame

Box 1/4

---

7x Legs



---

6x Frame hand screws



---

4x Headboard hand screws



---

8x Washers



---

7x Thin felt pads



---

2x Thick felt pads



---

20x Slats

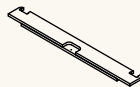


# What comes with your queen timber bed frame

Box 2/4

---

1x Top rail



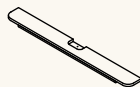
---

1x Middle rail



---

1x Bottom rail

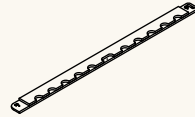


# What comes with your queen timber bed frame

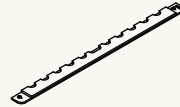
## Box 3/4

---

1x Left rail



1x Right rail



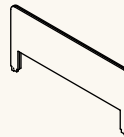
1x Long middle rail



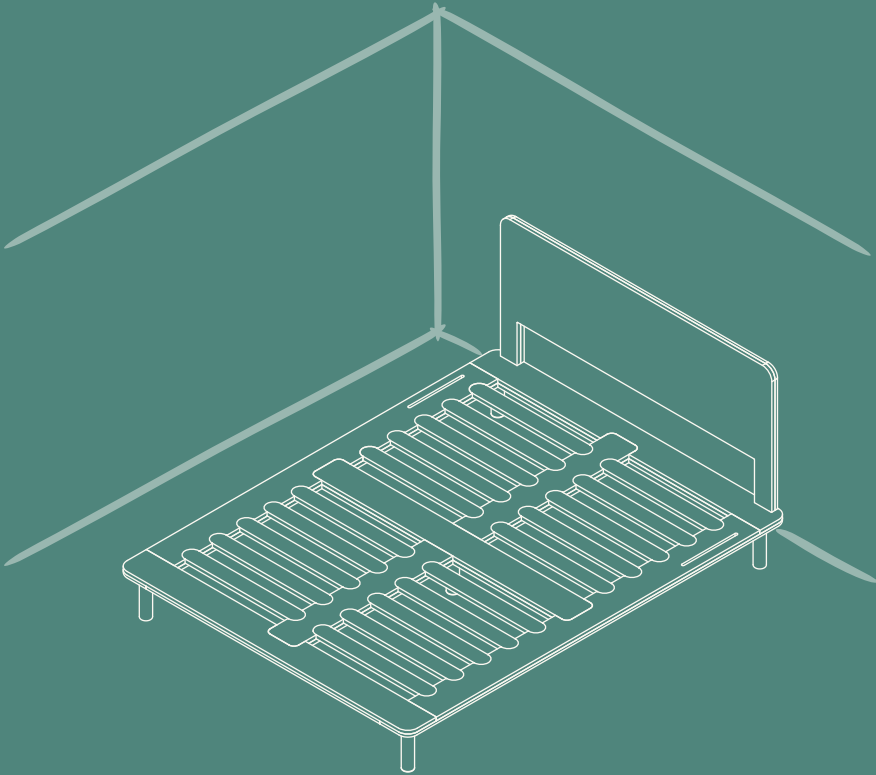
## Box 4/4

---

1x Headboard



Before you begin, make sure to choose a spot for your timber bed frame against a wall.

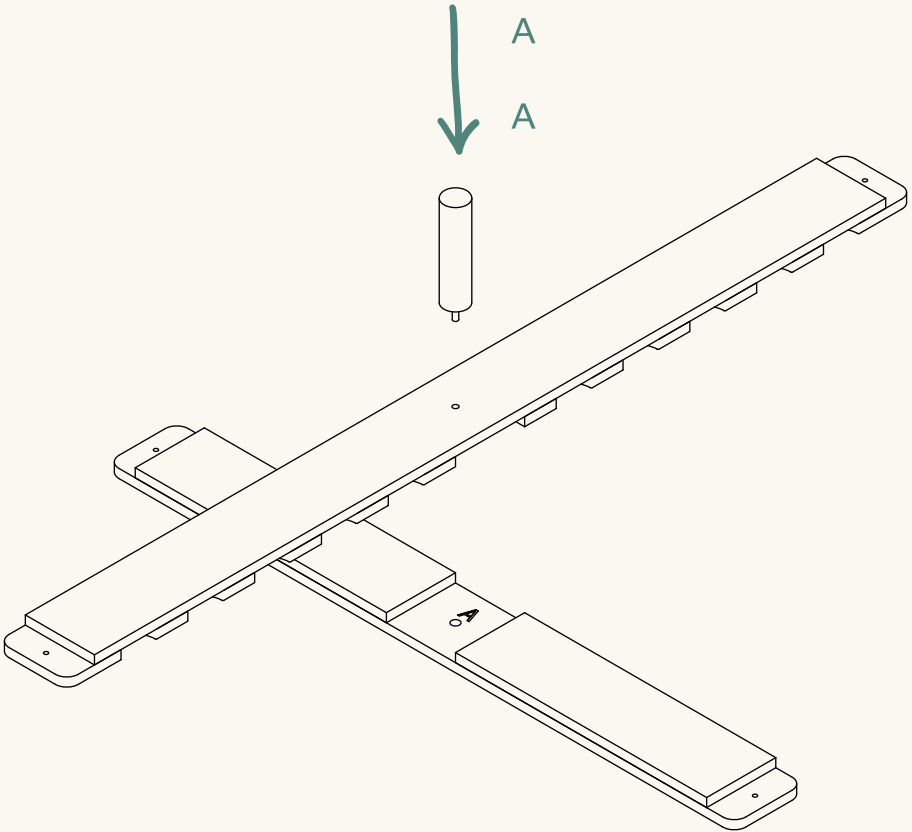


Please contact our customer experience team if you cannot place your bed frame against a wall.

# 1.

Line up middle rails (A- A) and screw 1x leg in to secure together. Set aside.

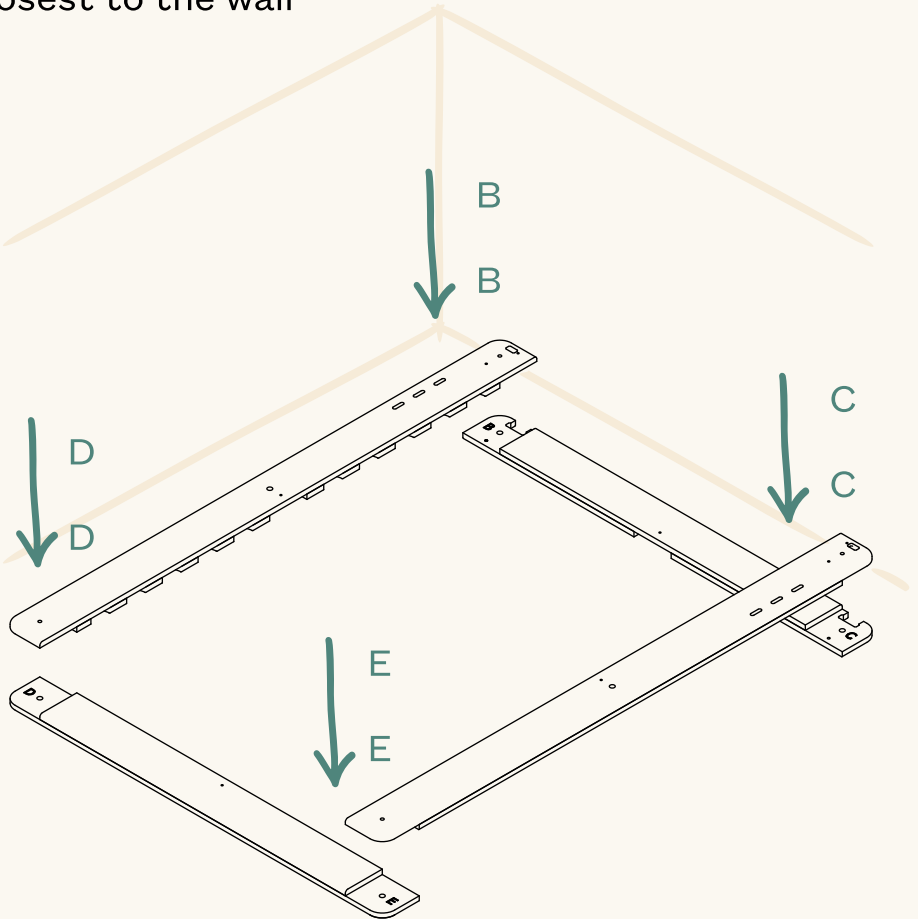
Optional: Stick thin felt pads onto underside of legs. We recommend this for timber or hard floors.



# 2.

Line up top (B-C), bottom (D-E), and side rails (B-D, C-E) together.

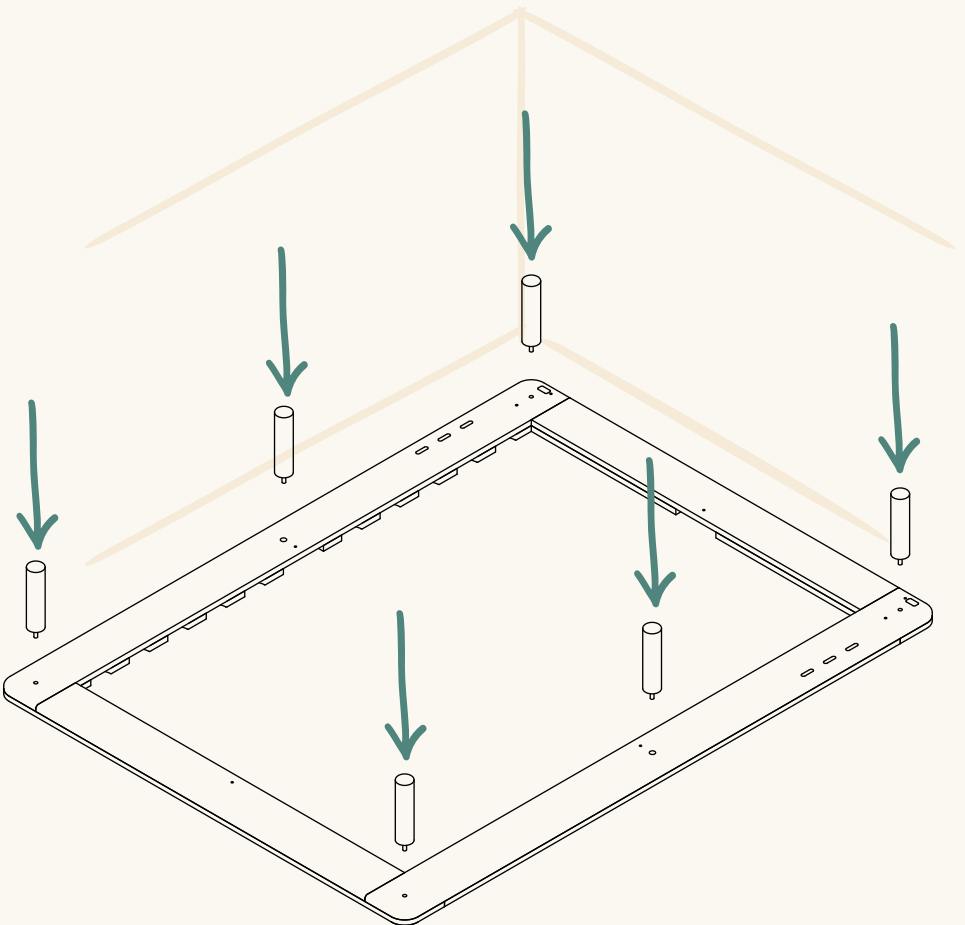
Match the letters and have the top rail closest to the wall



# 3.

Screw 6x legs into corners and sides to secure together.

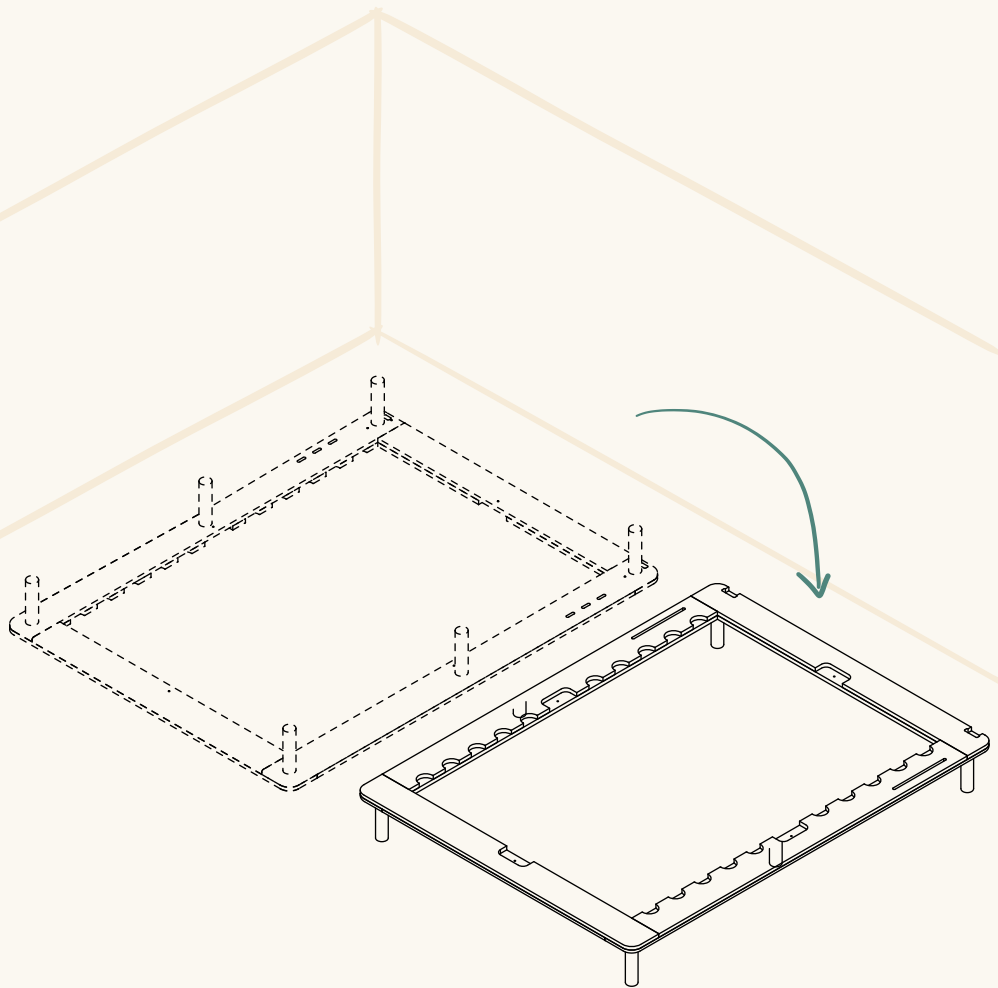
Optional: Stick thin felt pads onto underside of legs. We recommend this for timber or hard floors.





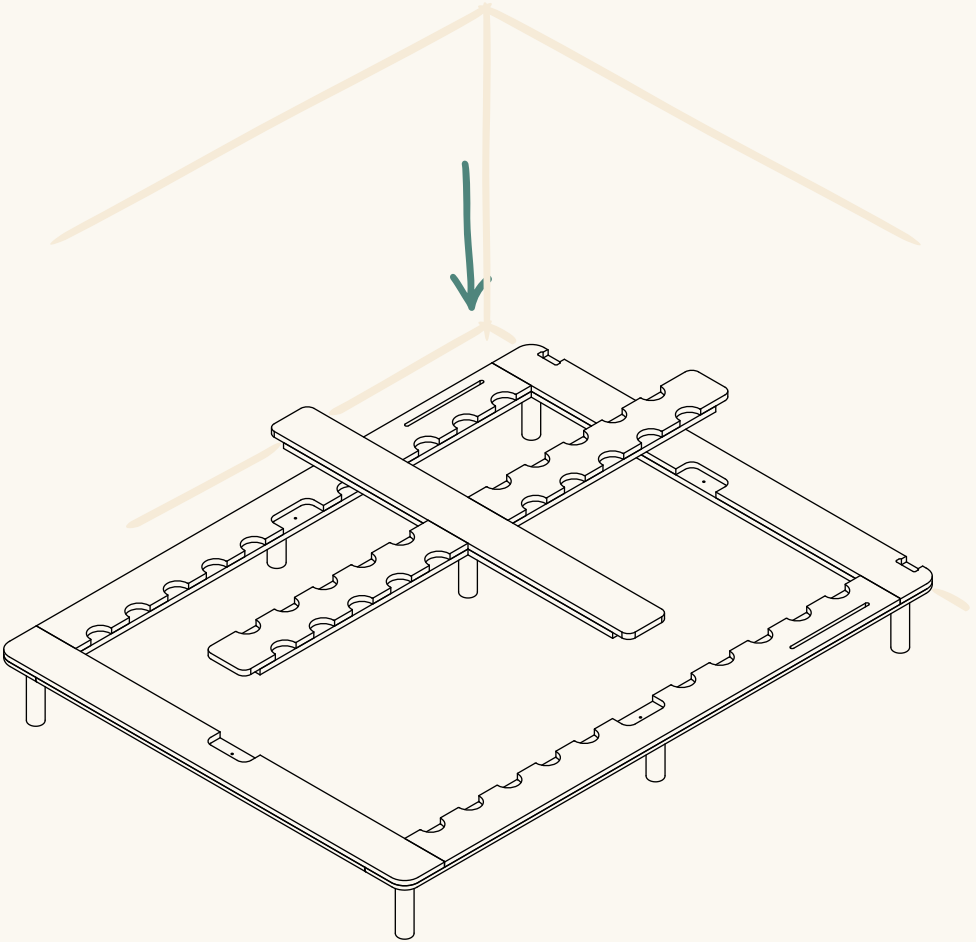
# 4.

Flip frame upright.



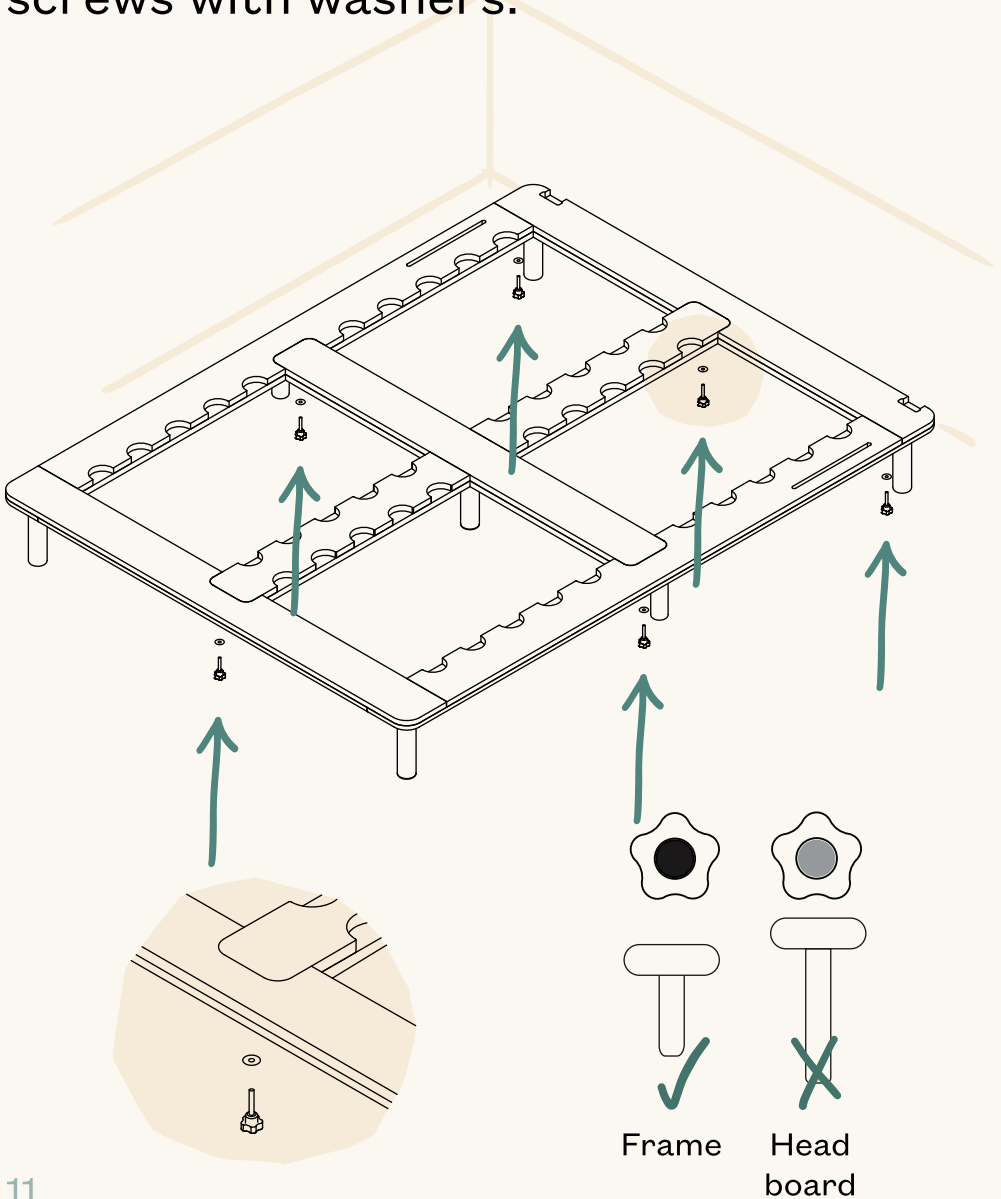
# 5.

Place previously assembled section onto frame.



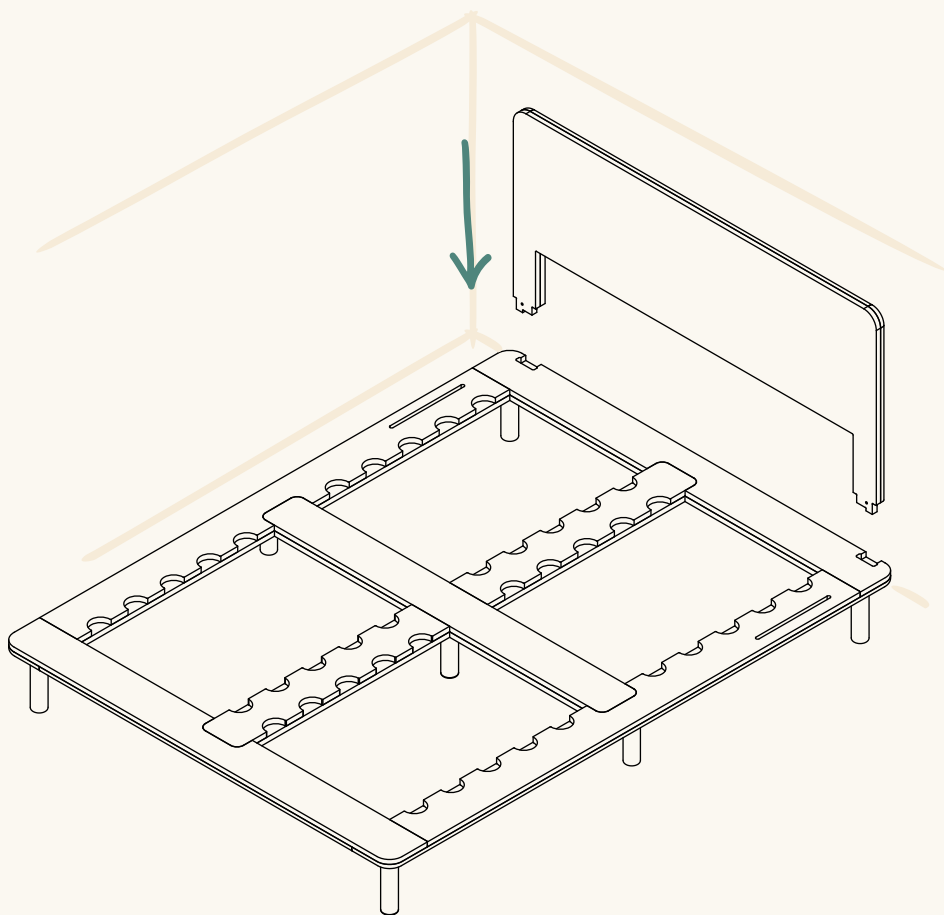
# 6.

Secure together using 6x frame hand screws with washers.



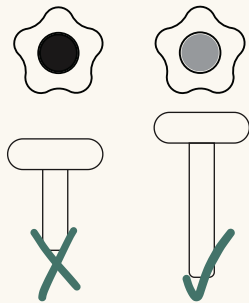
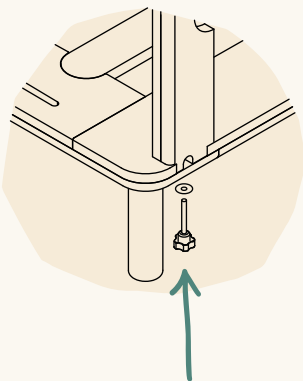
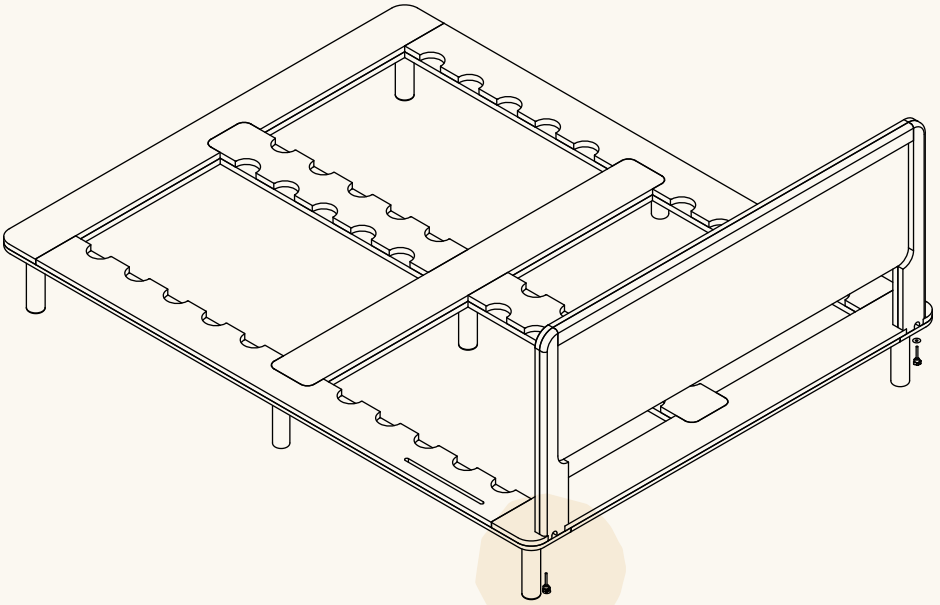
# 7.

Place headboard onto frame.



# 8.

Secure bottom of headboard using 2x washers and headboard hand screws.

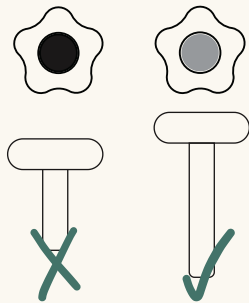
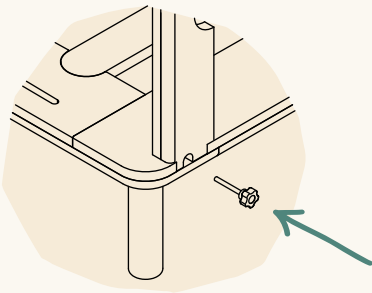
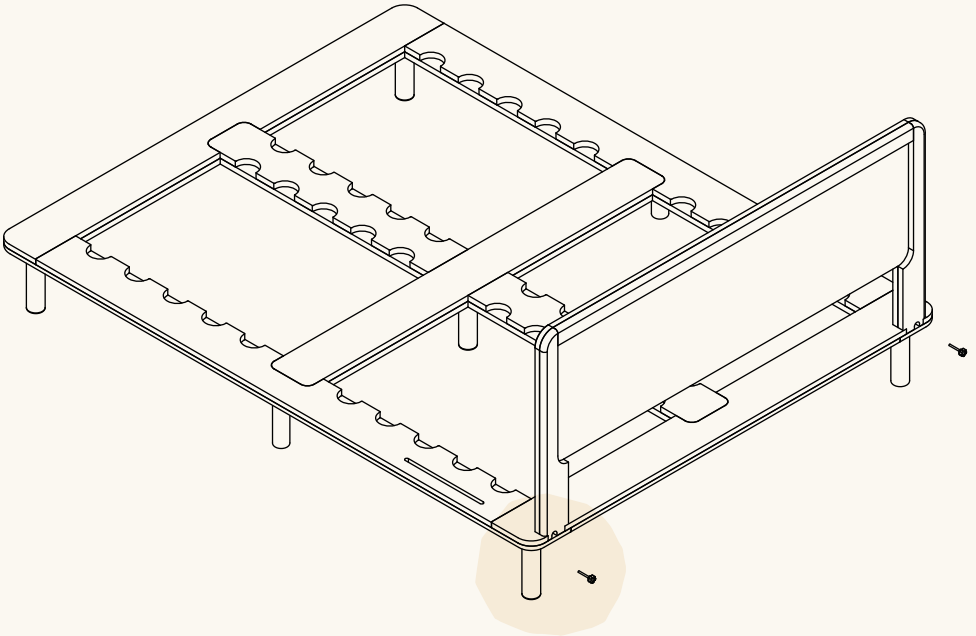


Frame

Head board

# 9.

Secure back of headboard using 2x headboard hand screws.

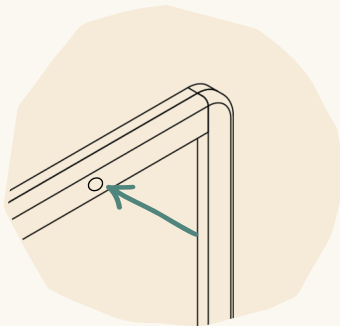
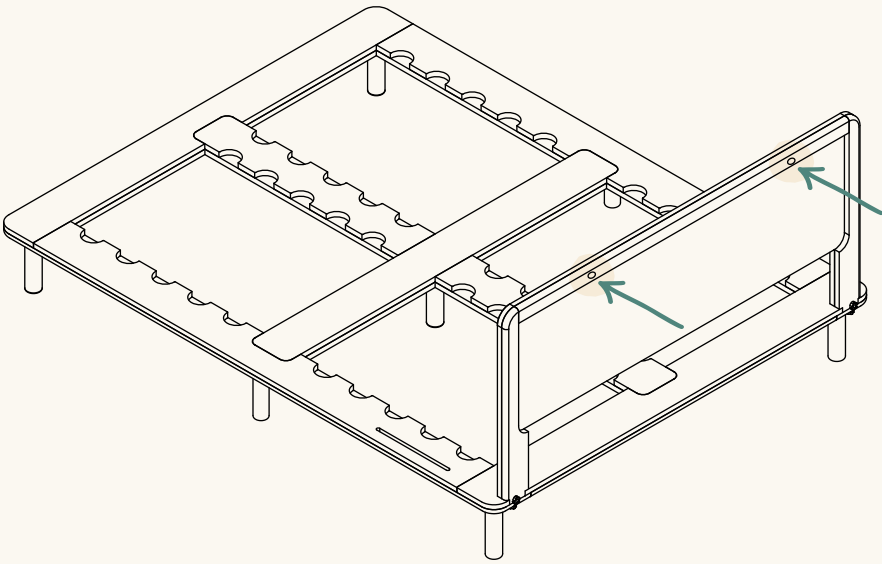


Frame

Head  
board

# 10.

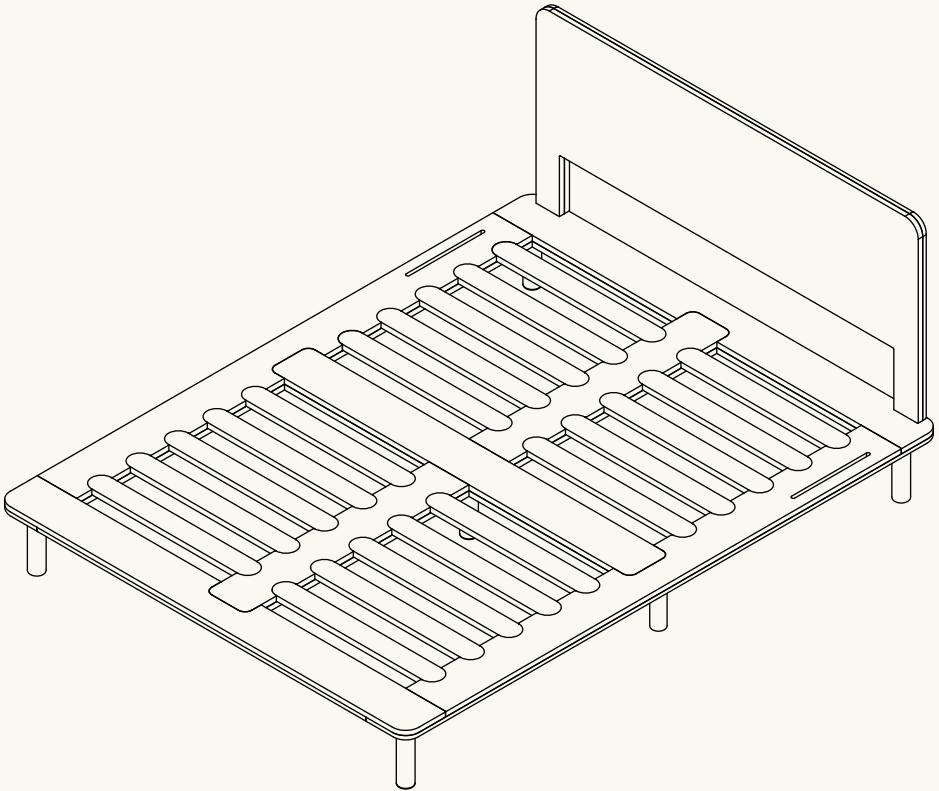
Stick 2x thick felt pads to the back side of the headboard to protect your wall.



# 11.

Place slats on and enjoy!

Caution: Avoid standing on slats.





**Pretty simple living.**