

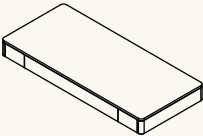


# A guide to your Hideaway Table

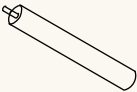
# What comes with your long table

---

1x Table top



4x Legs



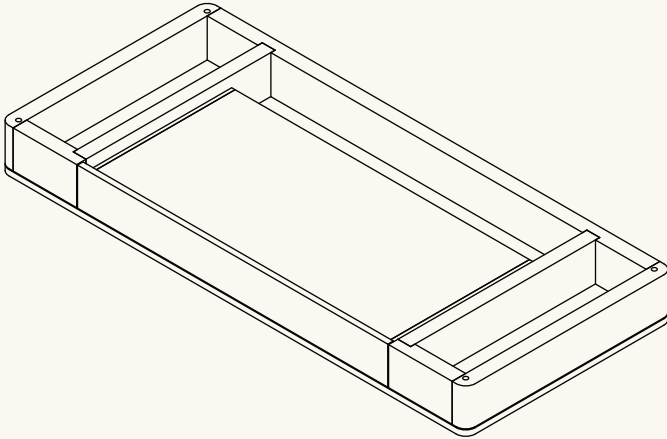
4x Coasters



1.

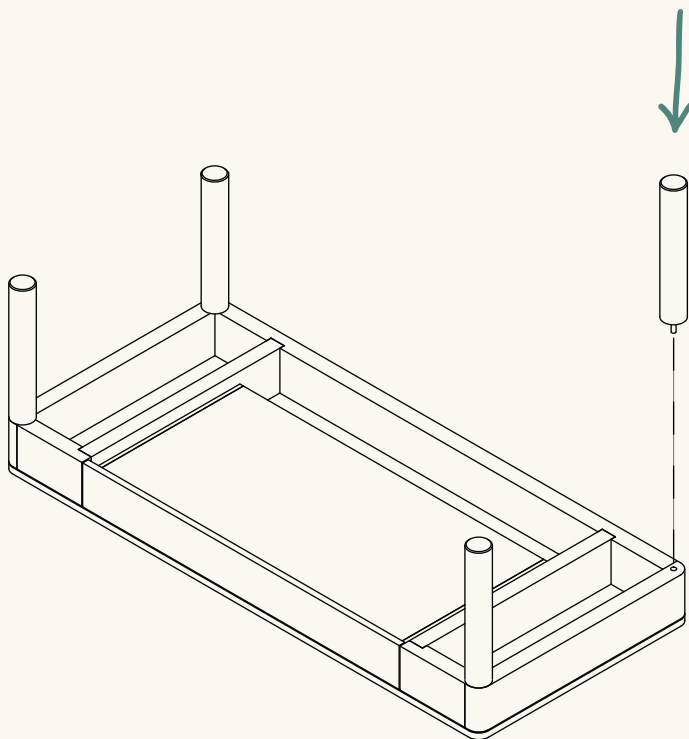
Place table top face down.

Caution: Protect the table's surface by placing a blanket or towel on the ground before assembly.



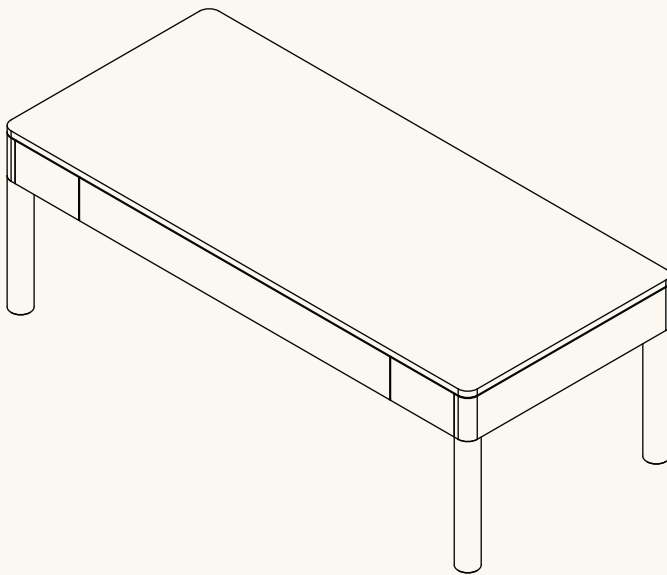
## 2.

Screw the legs into the frame.



3.

Flip the table upright and enjoy!



**Pretty simple living.**