

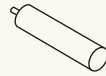


A guide to your Timber Bed Frame

What comes with your king single timber bed frame

Box 1/4

5x Legs



4x Frame hand screws



4x Headboard hand screws



6x Washers



5x Thin felt pads



2x Thick felt pads



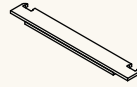
20x Slats



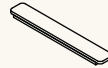
What comes with your king single timber bed frame

Box 2/4

1x Top rail



1x Middle rail



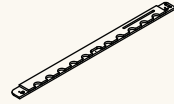
1x Bottom rail



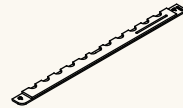
What comes with your king single timber bed frame

Box 3/4

1x Left rail



1x Right rail

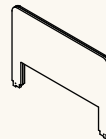


1x Long middle rail

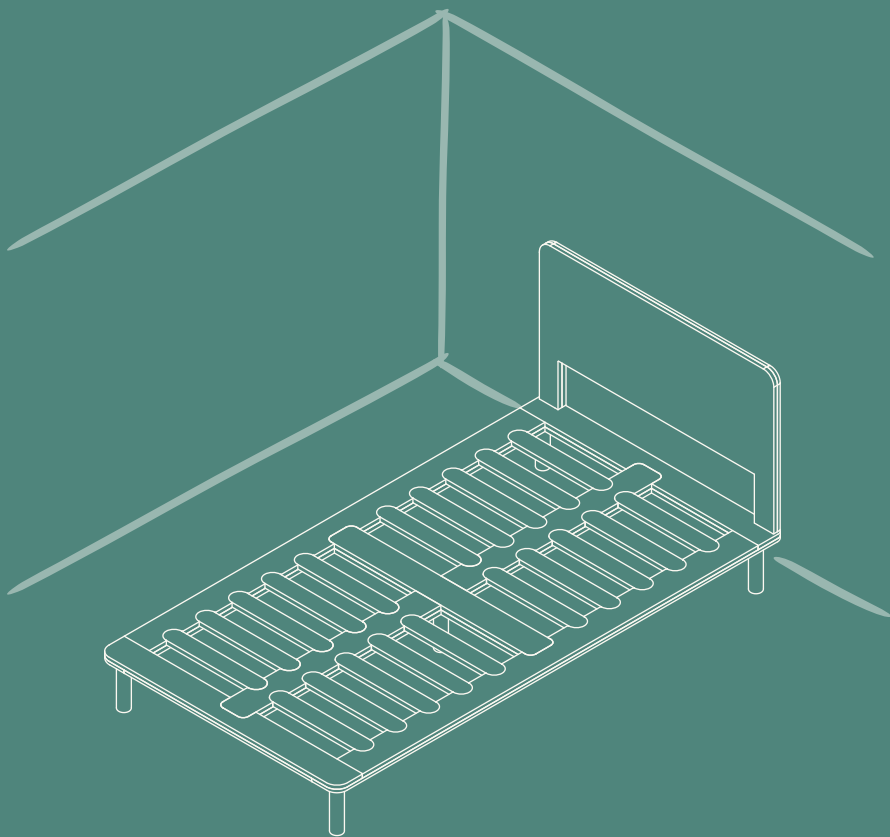


Box 4/4

1x Headboard



Before you begin, make sure to choose a spot for your timber bed frame against a wall.

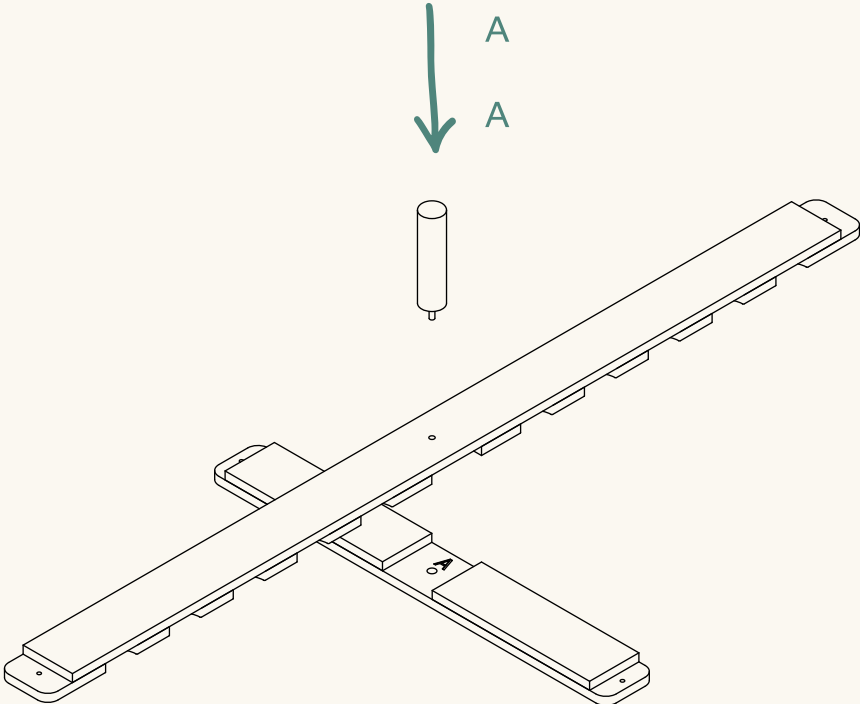


Please contact our customer experience team if you cannot place your bed frame against a wall.

1.

Line up middle rails (A-A) and screw 1x leg in to secure together. Set aside.

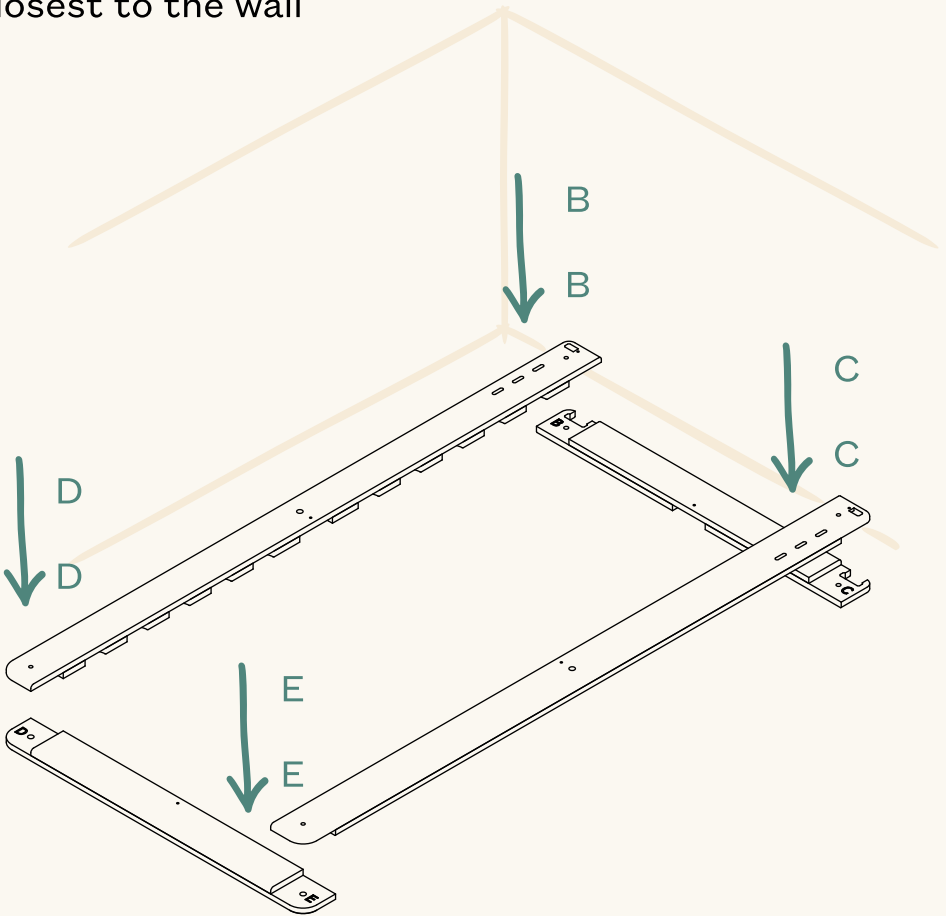
Optional: Stick thin felt pads onto underside of legs. We recommend this for timber or hard floors.



2.

Line up top (B-C), bottom (D-E), and side rails (B-D, C-E) together.

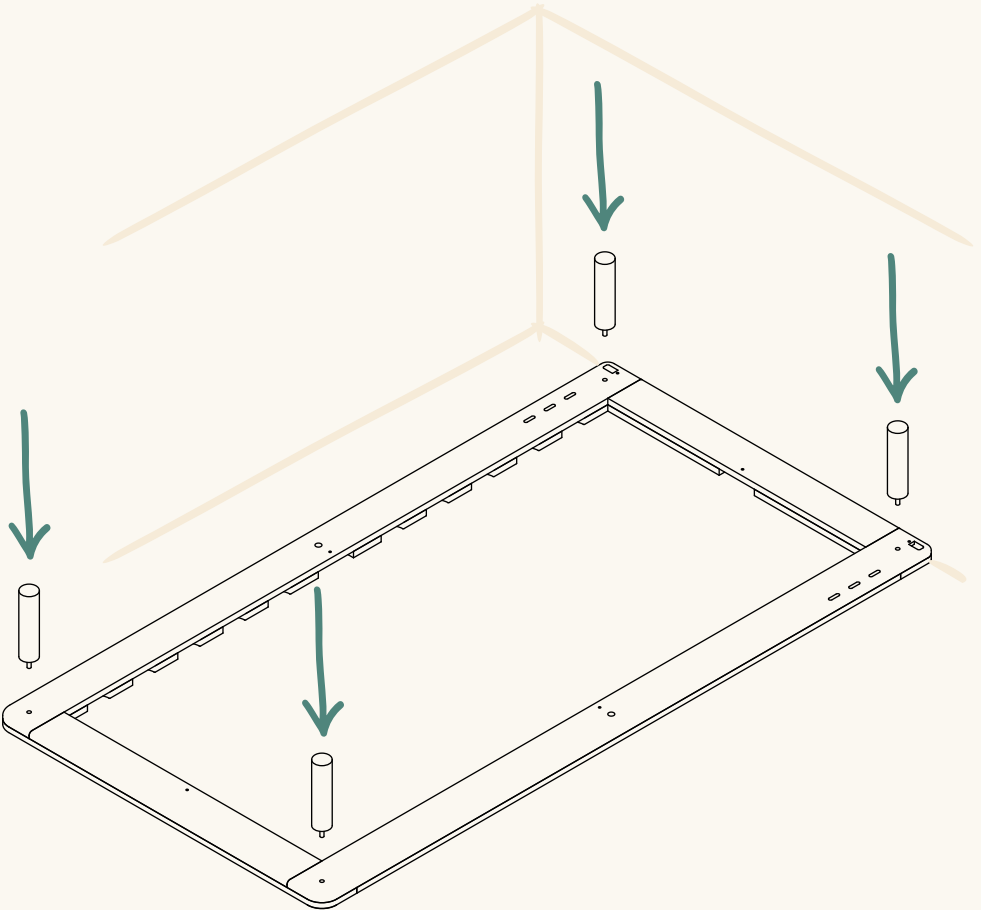
Match the letters and have the top rail closest to the wall



3.

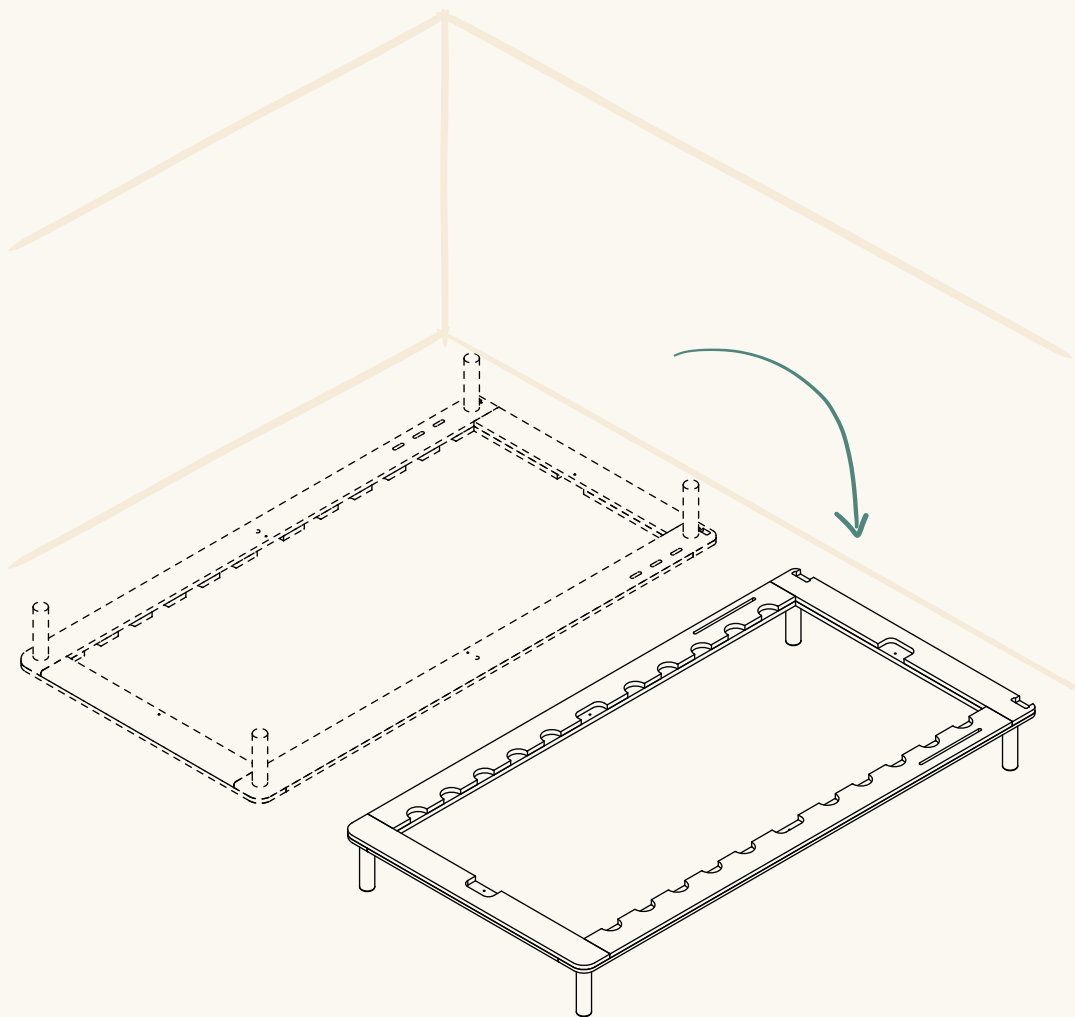
Screw 4x legs into corners to secure together.

Optional: Stick thin felt pads onto underside of legs. We recommend this for timber or hard floors.



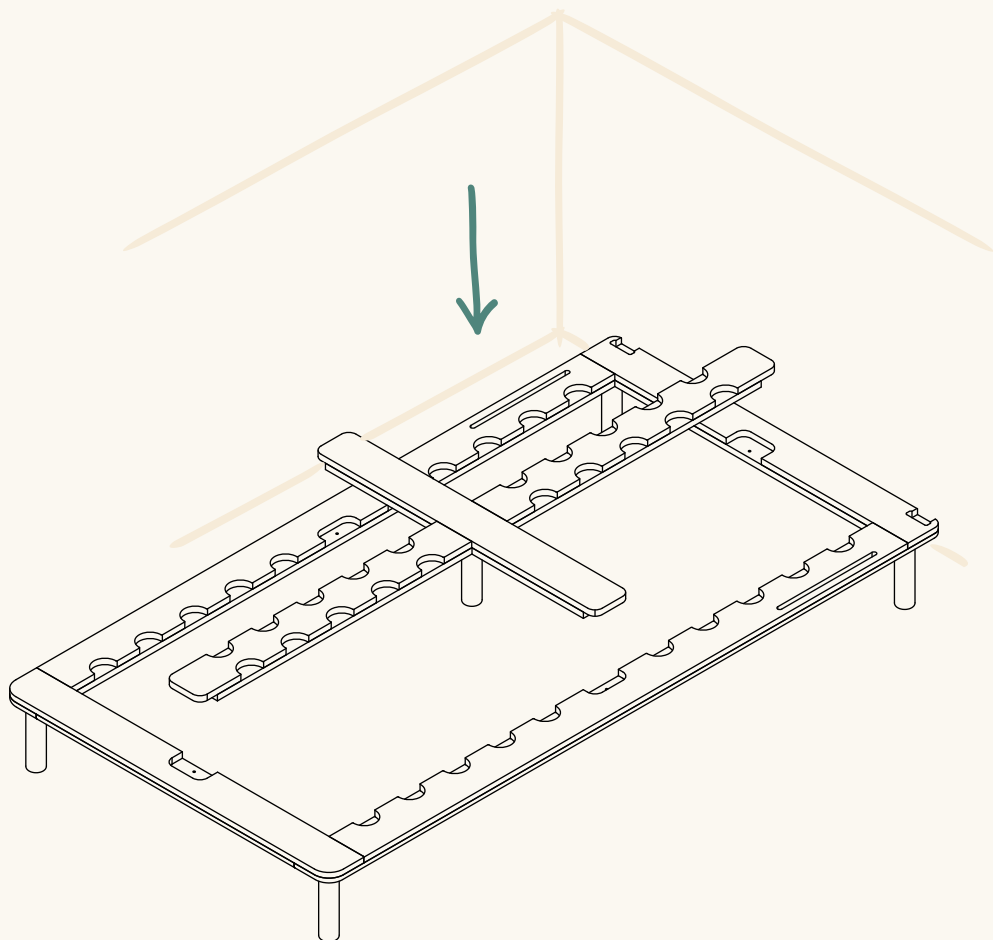
4.

Flip frame upright.



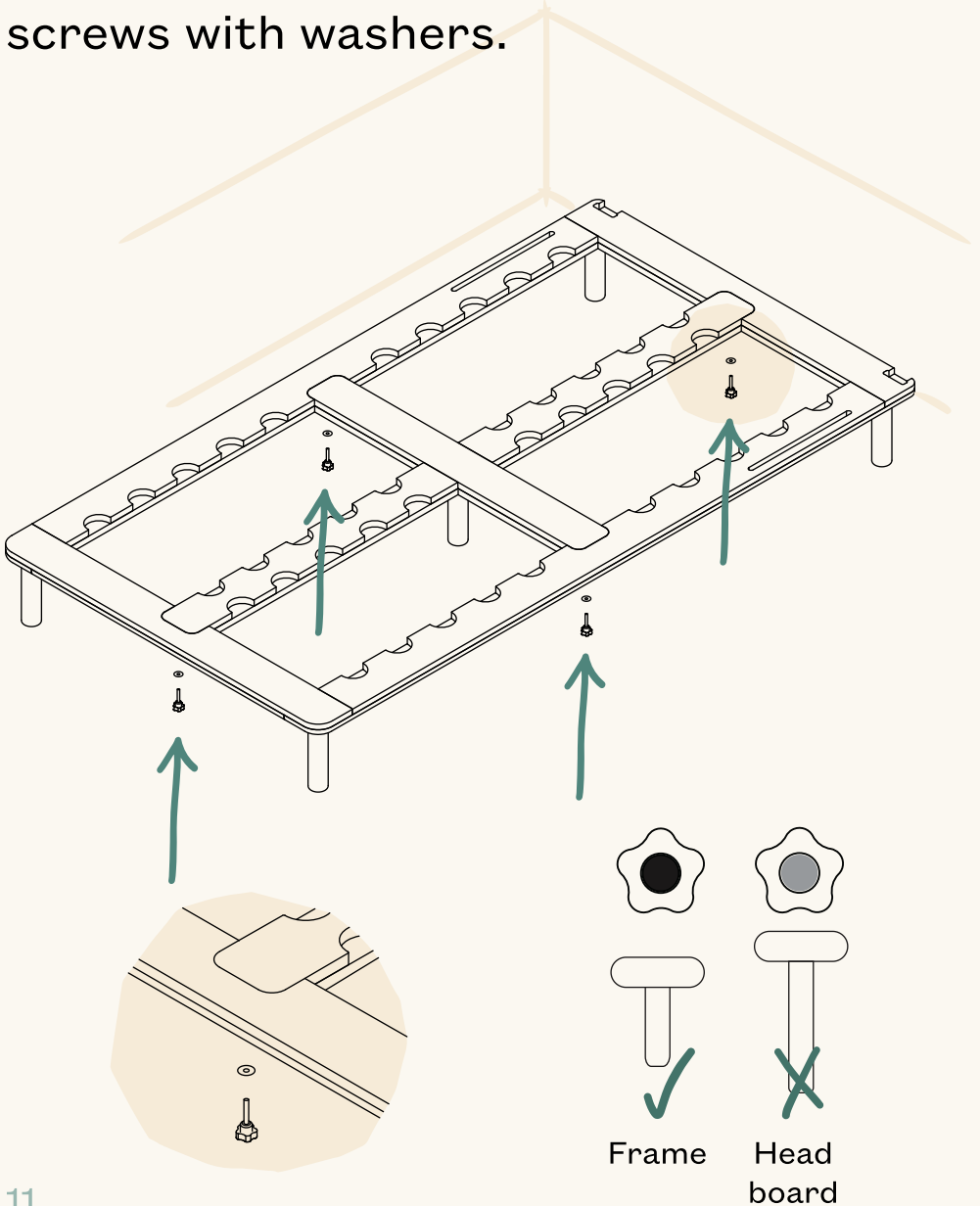
5.

Place previously assembled section onto frame.



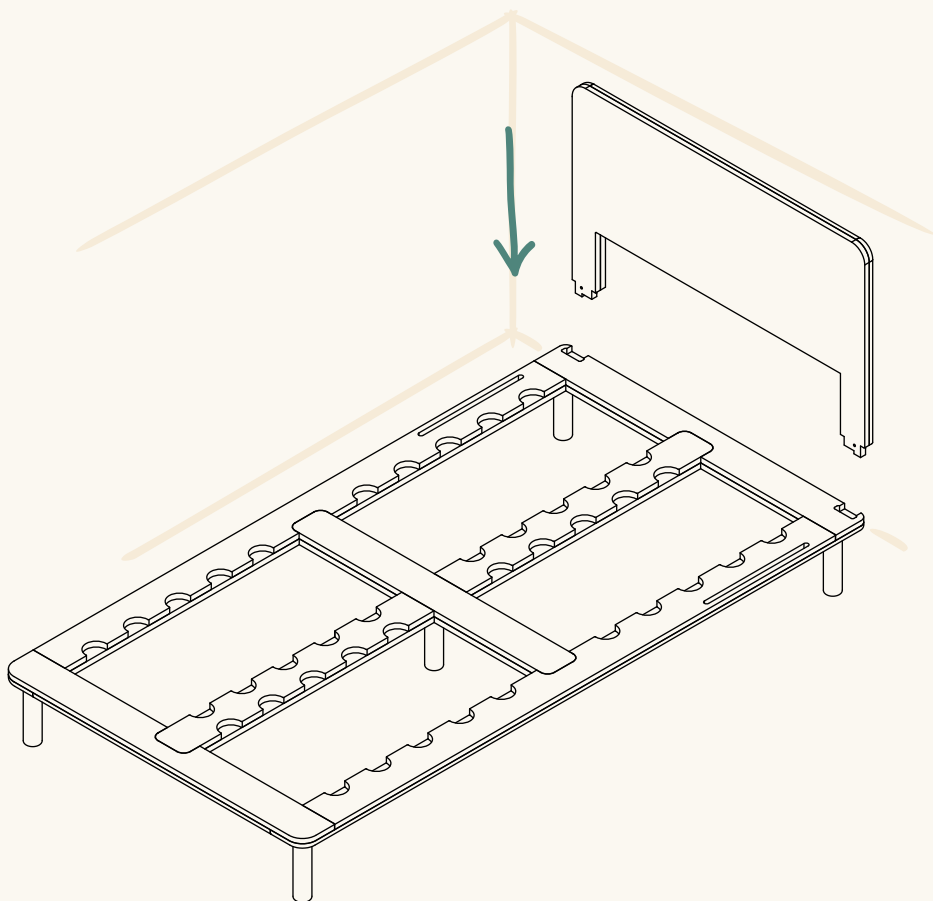
6.

Secure together using 4x frame hand screws with washers.



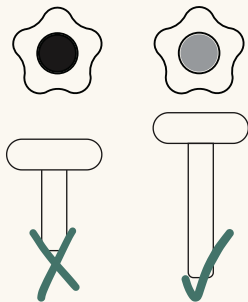
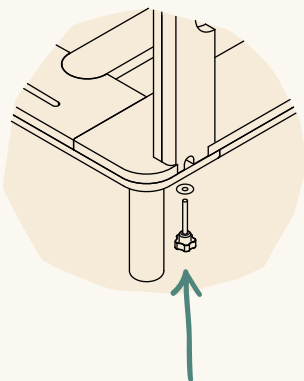
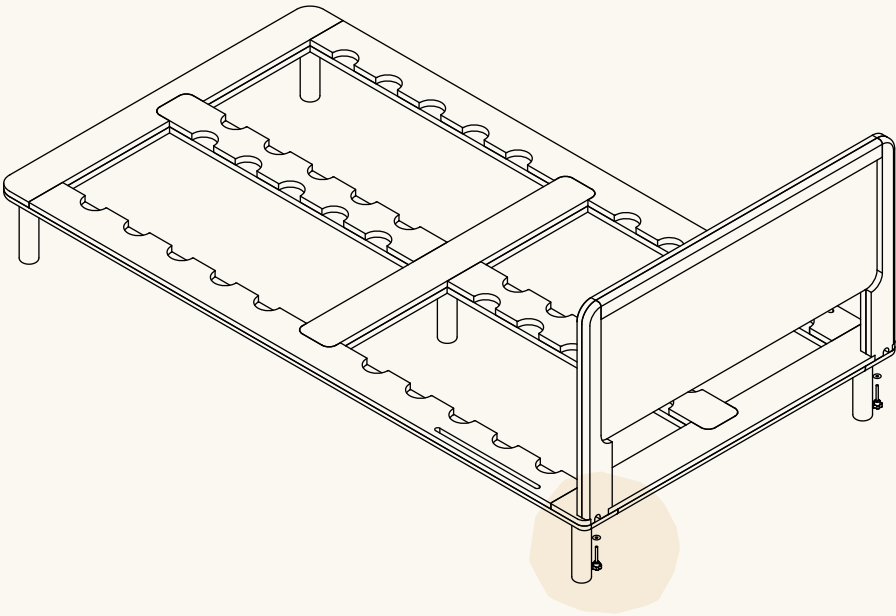
7.

Place headboard onto frame.



8.

Secure bottom of headboard using 2x washers and headboard hand screws.

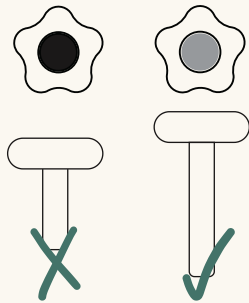
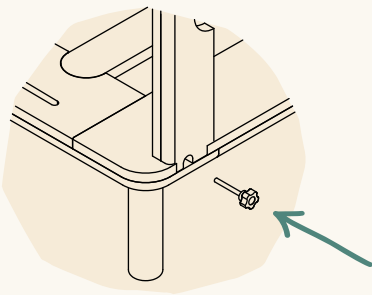
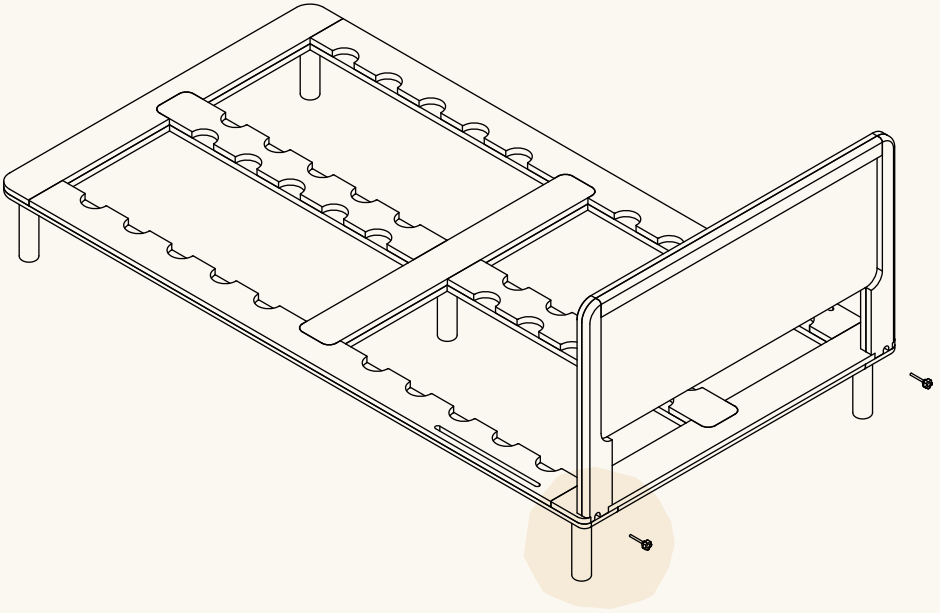


Frame

Head board

9.

Secure back of headboard using 2x headboard hand screws.

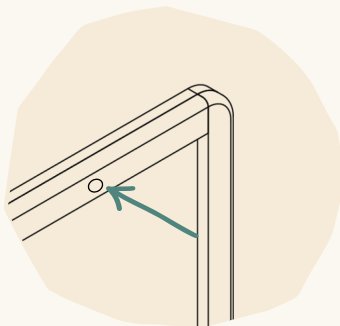
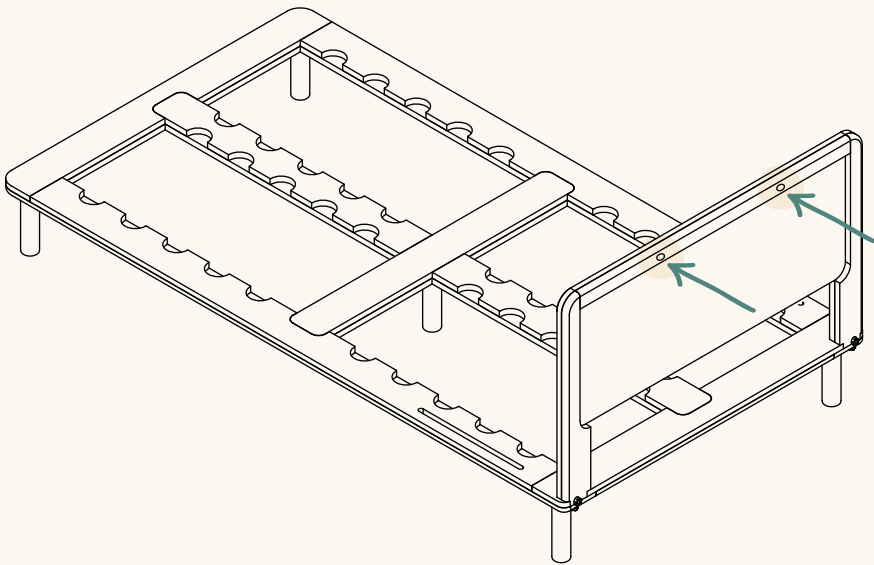


Frame

Head board

10.

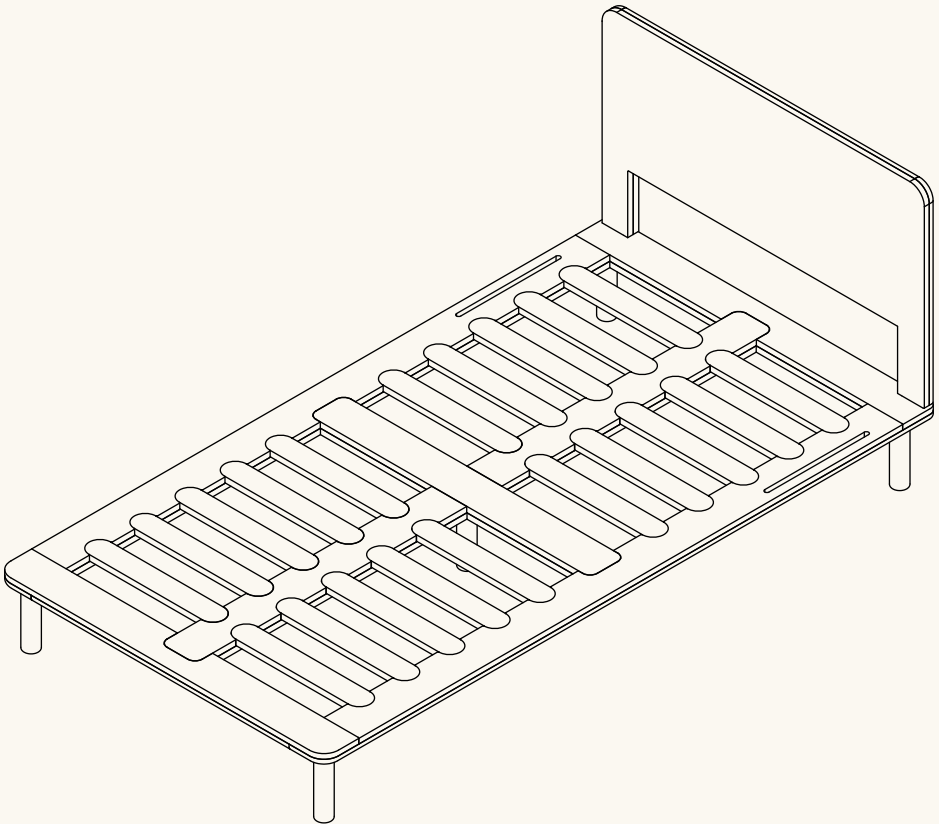
Stick 2x thick felt pads to the back side of the headboard to protect your wall.



11.

Place slats on and enjoy!

Caution: Avoid standing on slats.



Pretty simple living.